

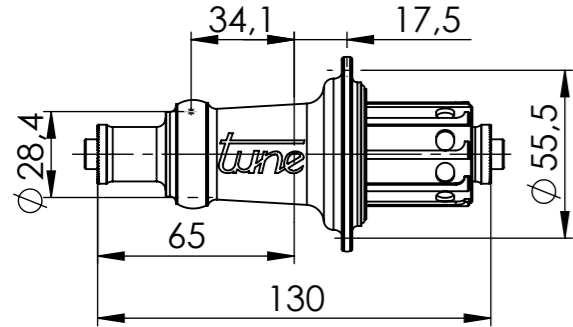
Flange distances and circle diameters of all TUNE - rear hubs

as of: November 2014

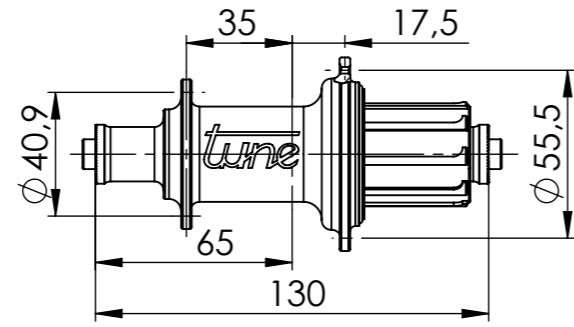
Rim brake

Disc brake

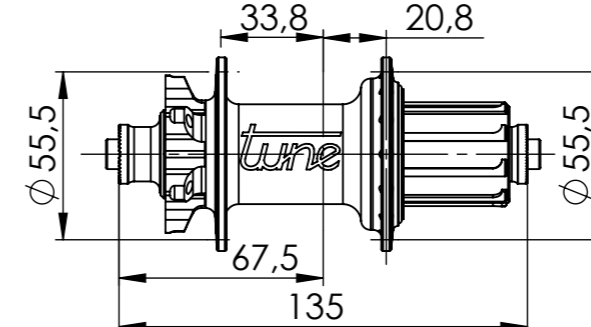
Mag 150 Shimano 10-speed



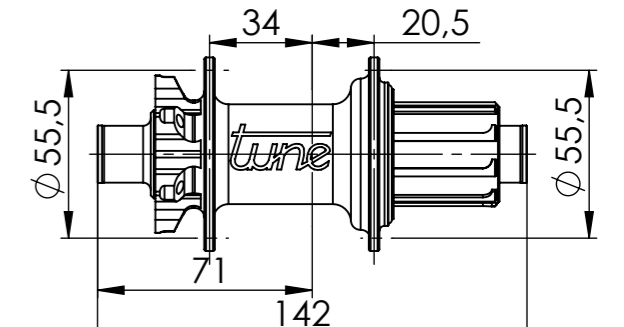
Mag 170 Shimano 10-speed



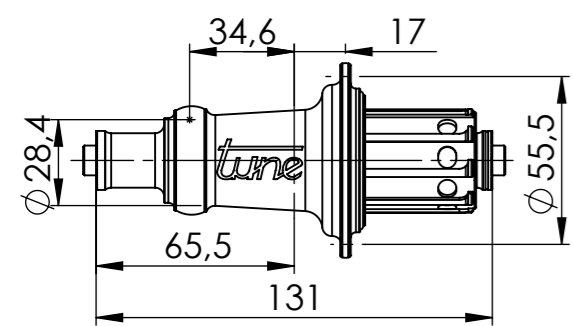
Kong/Prince QR/Maxle



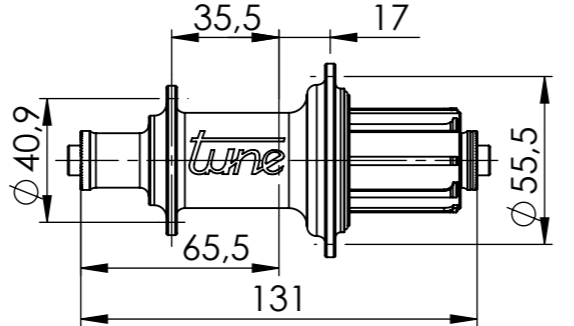
Kong/Prince X-12



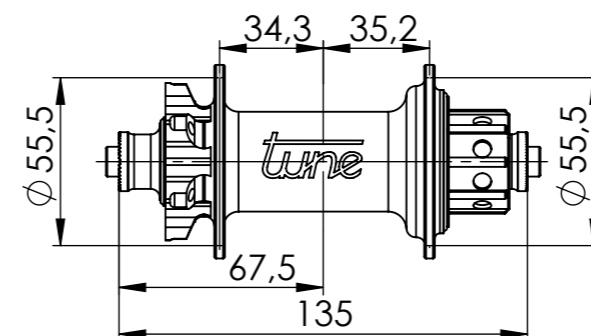
Mag 150 Shimano 11-speed



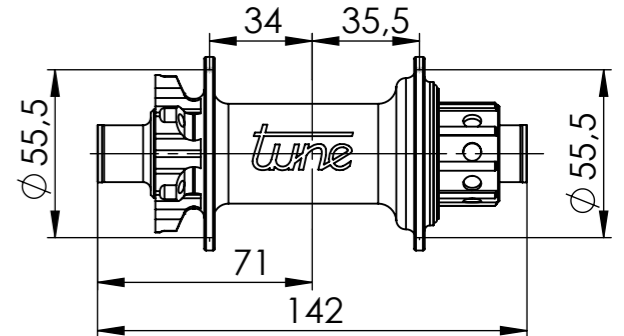
Mag 170 Shimano 11-speed



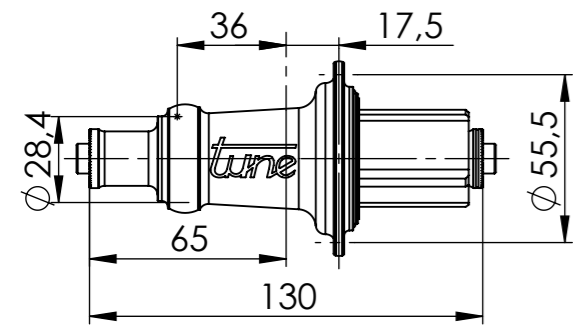
Singlespeed QR/Maxle



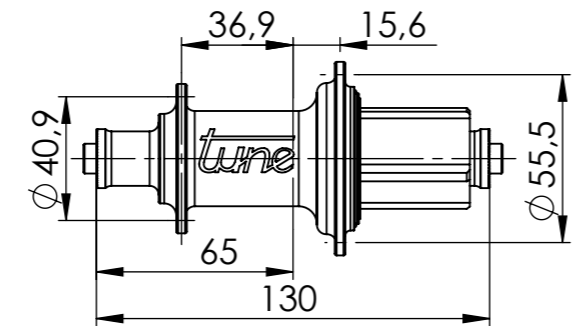
Singlespeed X-12



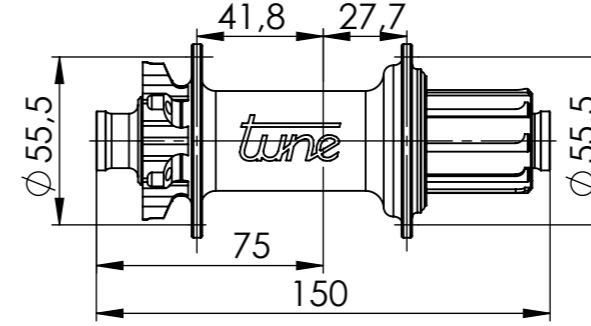
Mag 150 Campagnolo



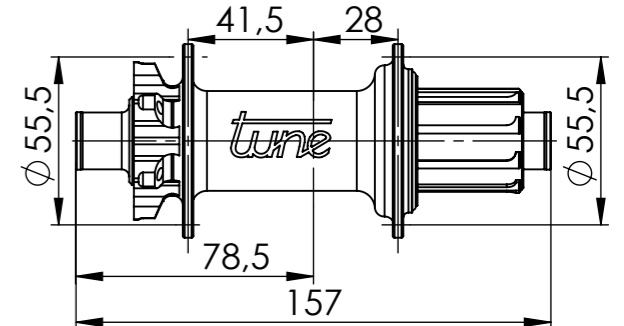
Mag 170 Campagnolo



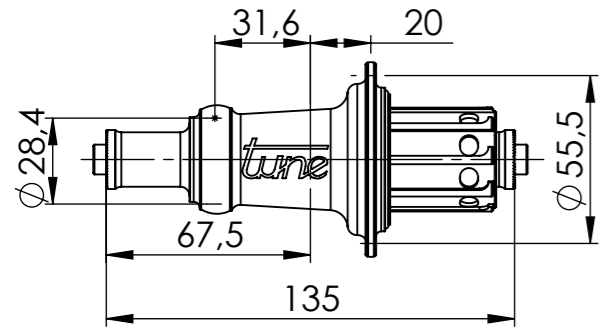
Kong MK 150mm



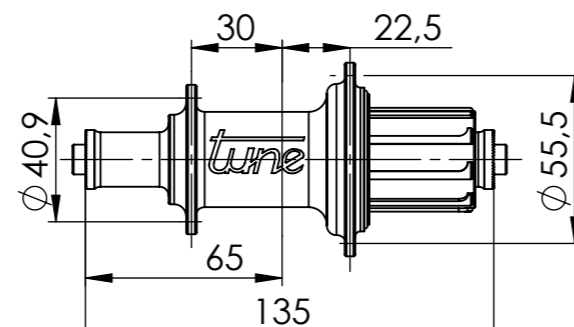
Kong MK 157mm



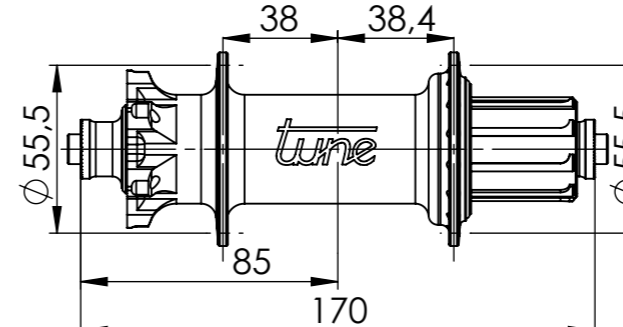
Mag 150 Shimano MTB



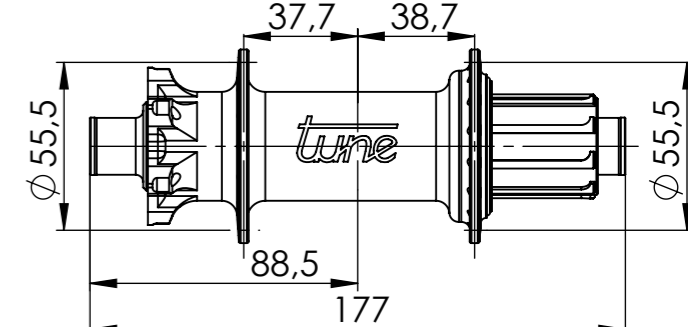
Mag 170 Shimano MTB



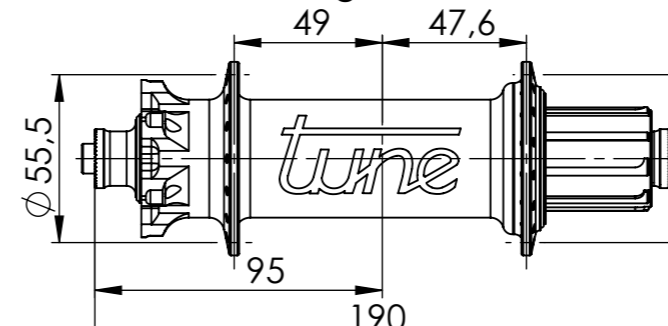
Fat Kong 170mm QR



Fat Kong 177mm X-12



Fat Kong 190mm QR



Fat Kong 197mm X-12

